

CERTIFICATE No.
JMI-0062
ISO 9001/BS 5750Pt1
EN 29001/JIS Z9901

KP-M22/M32



Ultra compact black-and-white CCD camera of 29mm square type body featuring high sensitivity, high resolution and high performance A variety of functions are provided.

KP-M22: 1/2-inch 400,000-pixel CCD KP-M32: 1/3-inch 400,000-pixel CCD Both models are provided with a variety of functions including multi-step electronic shutter, HD/VD external sync and integration mode switching.

Ultra compact and lightweight

In spite of ultra compact size, the KP series cameras features various functions and high performance. Video signal can be obtained only by supplying 12 VDC power.

High resolution

Horizontal resolution of 570 TVL(560 TVL CCIR), vertical resolution of 485 TVL(575 TVL CCIR) The latest high grade CCD used. No. of total pixels:410,000(470,000 CCIR), No. of effective pixels:768(H) x 494(V) (752(H) x 582(V) CCIR).

Multi-step electronic shutter function

Eight shutter speeds can be selected between 1/100 (1/120 CCIR) seconds and 1/10,000 seconds.

Internal/External sync modes

Sync mode and scanning system are automatically switched according to the kinds of the external input signal.

Frame/Field integration mode switching function

By combining this mode and the electronic shutter function, it is possible to obtain the optimum image most suitable for each application.

Anti-vibration design

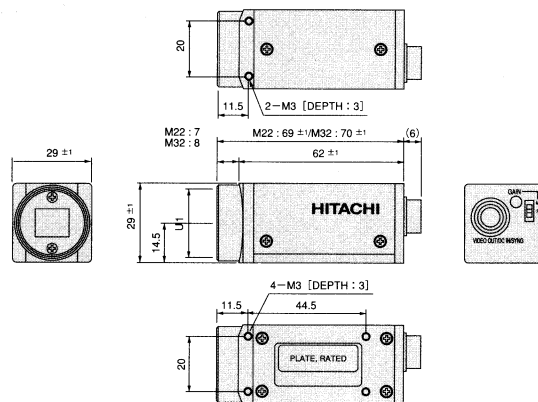
Die-cast aluminium is employed in consideration of anti-vibration performance.

Imaging device	KP-M22: 1/2-inch Inter-line CCD KP-M32: 1/3-inch Inter-line CCD
No. of total pixels	EIA: 811(H) x 508(V) CCIR: 795(H) x 596(V)
Pixel size	KP-M22 EIA: 8.4 um(H) x 9.8 um(V) CCIR: 8.6 um(H) x 8.3 um(V) KP-M32 EIA: 6.35 um(H) x 7.4 um(V) CCIR: 6.5 um(H) x 6.25 um(V)
No. of effective pixels	EIA: 768(H) x 469(V) CCIR: 752(H) x 582(V)
Sensing area	KP-M22 EIA: 6.45 mm(H) x 4.84 mm(V) CCIR: 6.47 mm(H) x 4.83 mm(V) KP-M32 EIA: 4.88 mm(H) x 3.66 mm(V) CCIR: 4.89 mm(H) x 3.64 mm(V)
Signal system	EIA/CCIR
Lens mount	C-mount
Flange focal distance	17.526 mm (Not adjustable)
Hor. scanning frequency	EIA: 15.734 kHz CCIR: 15.625 kHz
Vert. scanning frequency	EIA: 59.94 Hz CCIR: 50 Hz
Sync system	Int./Ext. (Automatically switched)
Int. sync system	2:1 interlaced
Ext. sync input	HD/VD: 2 to 6 Vp-p, negative Impedance: 1 kΩ Frequency deviation: ±1%
Video output	1.0 Vp-p/75 Ω unbalanced, 1 output Video: 0.7 Vp-p, Sync: 0.3 Vp-p, negative
Resolution	EIA: 570 TVL(H) x 485 TVL(V) CCIR: 560 TVL(H) x 575 TVL(V)
Sensitivity	KP-M22: 400 lx, f/8, 3200 K KP-M32: 400 lx, f/5.6, 3200 K

Minimum illumination	0.3 lx, f/1.4, AGC: ON, Gamma: ON, no IR cut filter
Signal-to-noise ratio	Better than 56 dB
Electronic shutter modes	1/10,000, 1/4000, 1/2000, 1/1000, 1/500, 1/250, 1/125, 1/120(CCIR), 1/100(EIA), OFF (Normal exposure) All modes settable by internal switches. Set to OFF at factory.
Integration modes	Field/Frame modes switchable
Gamma correction	1 or correction (Settable by internal switch) Set to 1 at factory.
Sensitivity switching	FIX, AGC or MANUAL settable by external switches. Set to FIX at factory.
External trigger signal	Field·On·Demand
Power supply	12 VDC ±1 V
Power consumption	120 mA approx.
Ambient conditions	Operating: -10 to 50 °C, 90%RH Storage: -20 to 60 °C, 70%RH
Anti-vibration	98 m/s ² (10 to 60 Hz, Amplitude: 0.98 mm const., 60 to 200 Hz, Const. acceleration, Const. amplitude) 10 to 200 Hz, Sweep: 1 min. 3 directions, Duration: 30 min. ea.
Anti-shock	686 m/s ² (top, bottom, left and right panels, once ea.)
Dimensions	29(W) x 29(H) x 62(L) mm
Mass	100 g approx.

- (1) Camera body (w/IR cut filter) 1
(2) Operation manual 1

- (1) Tripod adaptor, TA-F3
(2) 12-pin plug, HR10A-10P-12S(01)
(3) AC adaptor, AP-130
(4) Junction box, JU-M1A
(5) Dummy glass (AR-coated), ARC1214
(6) Camera cable



(Unit:mm)